
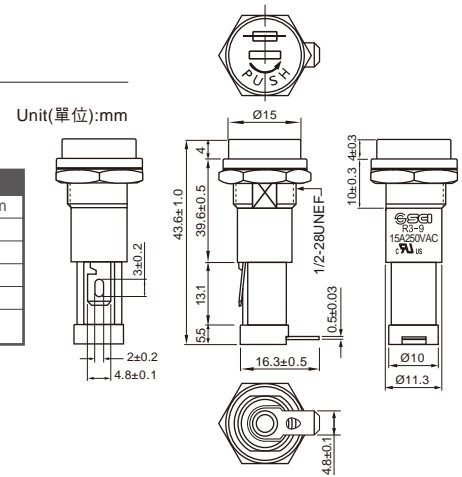


R3-9 / Panel Mount Type Fuseholder




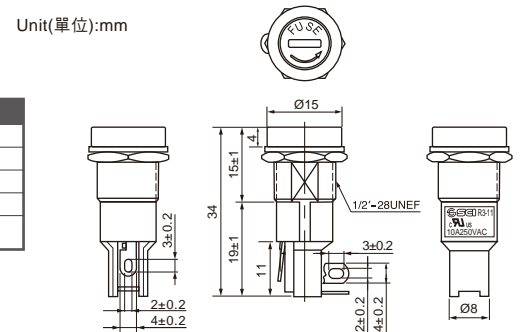
Specifications	
1 Fuse Size	Ø6.35x30mm / Ø6.35x31.75mm
2 Maximum Rating	15A 250V AC
3 Dielectric Strength	AC 1500V 1 Minute
4 Insulation Resistance	DC 500V 100mΩ Min.
5 Contact Resistance	50mΩ Max
6 Approvals	



R3-11 / Panel Mount Type Fuseholder




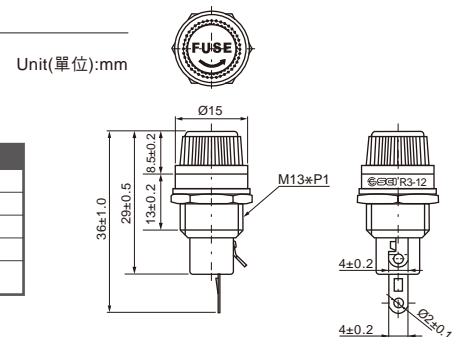
Specifications	
1 Fuse Size	Ø5.2x20mm
2 Maximum Rating	10A 250V AC
3 Dielectric Strength	AC 1500V 1 Minute
4 Insulation Resistance	DC 500V 100mΩ Min.
6 Approvals	



R3-12 / Panel Mount Type Fuseholder



Specifications	
1 Fuse Size	Ø5.2x20mm
2 Maximum Rating	10A 250V AC
3 Dielectric Strength	AC 1500V 1 Minute
4 Insulation Resistance	DC 500V 100mΩ Min.
6 Approvals	



R3-13 / Panel Mount Type Fuseholder



Specifications	
1 Fuse Size	Ø6.35x30mm / Ø6.35x31.75mm
2 Maximum Rating	10A 250V AC
3 Dielectric Strength	AC 1500V 1 Minute
4 Insulation Resistance	DC 500V 100mΩ Min.
5 Contact Resistance	50mΩ Max
6 Approvals	